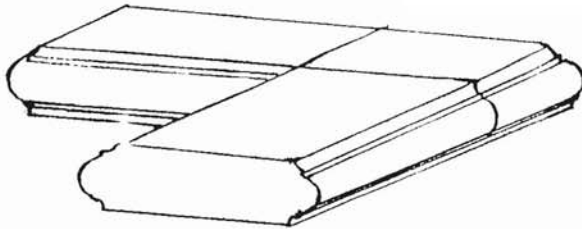


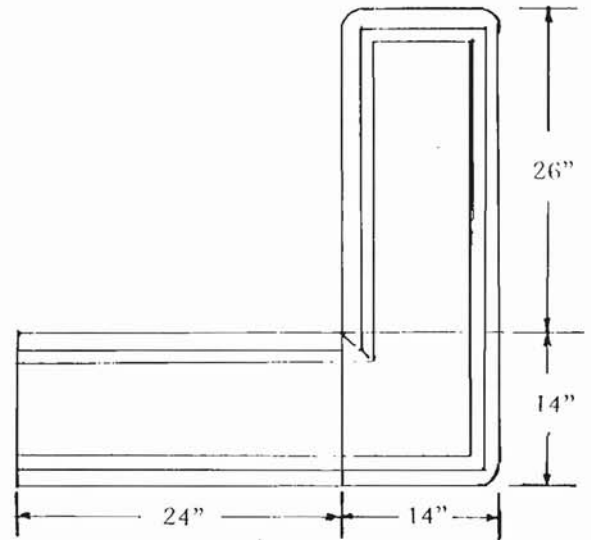
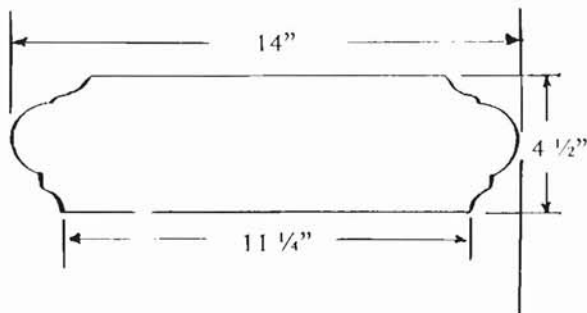
FRENCH WALL CAP

SK-302

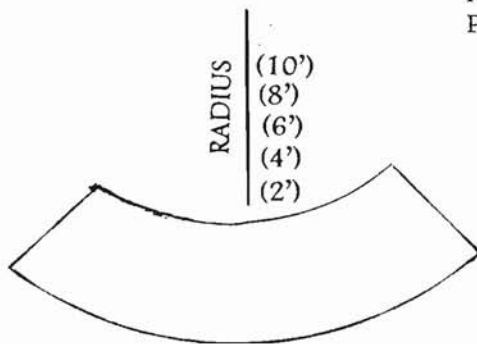
302-A



Also available:
SK-302-C, 9x24, 6" base

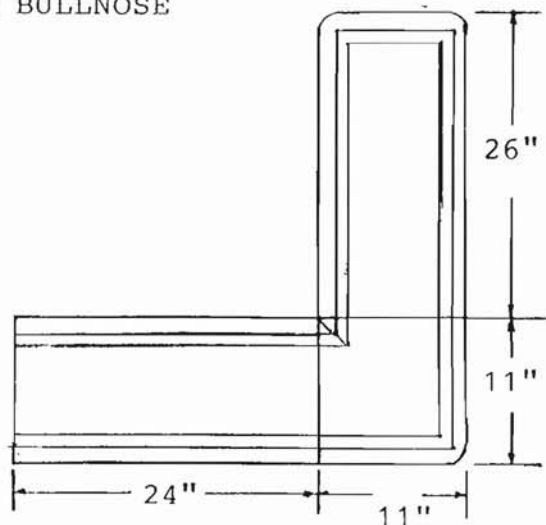
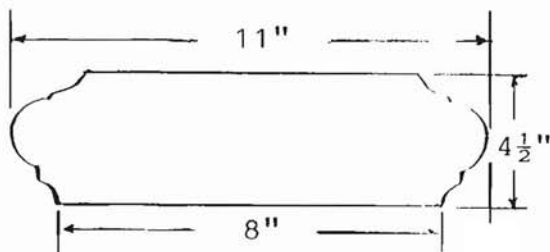


RADIUS
POINT



RADIUS FROM
INSIDE BULLNOSE

302-B



Phone: 310-639-8960
Fax: 310-639-8970



E-Mail: info@calgacrete.com
Web: www.calgacrete.com